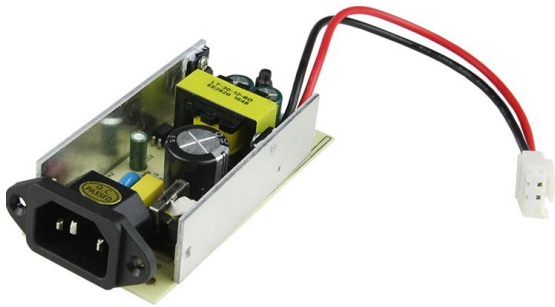


30W/52V Open Frame Power Supply (GWS-BP30-52)



Features



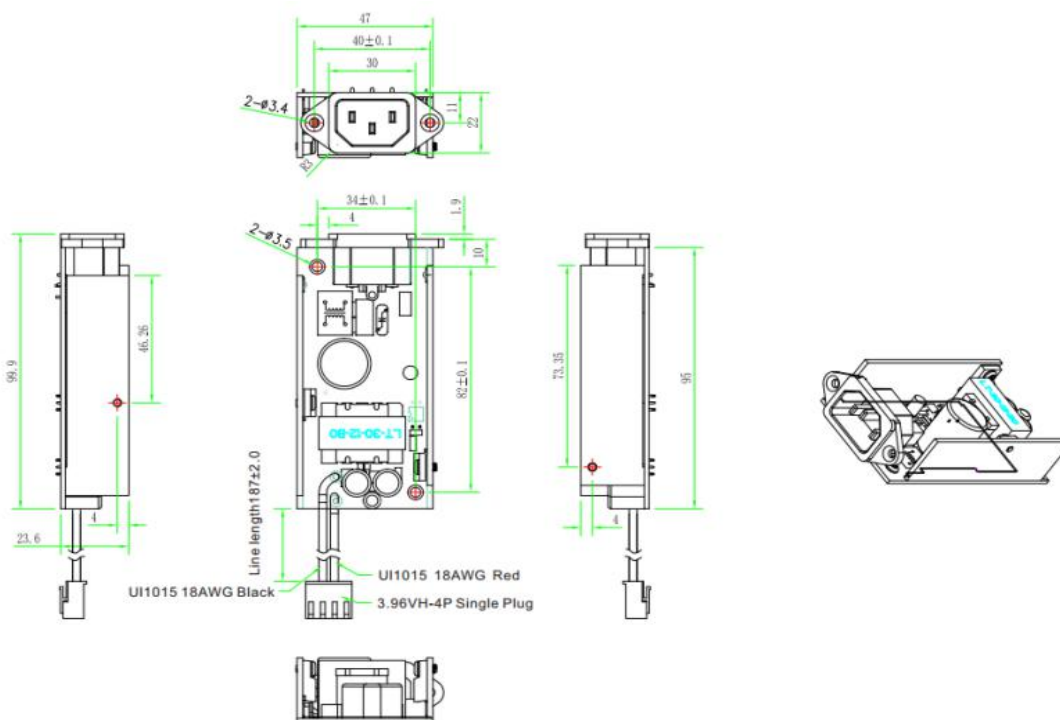
- Power Input: AC90~264V
- Support production for short circuit/over current/over voltage
- Wide operating ambient temp (-20°C~65°C)
- 100% full load aging test
- High efficiency, long life time and high reliability
- No fan, completely tranquil work
- 3 years warranty

Technical Specification

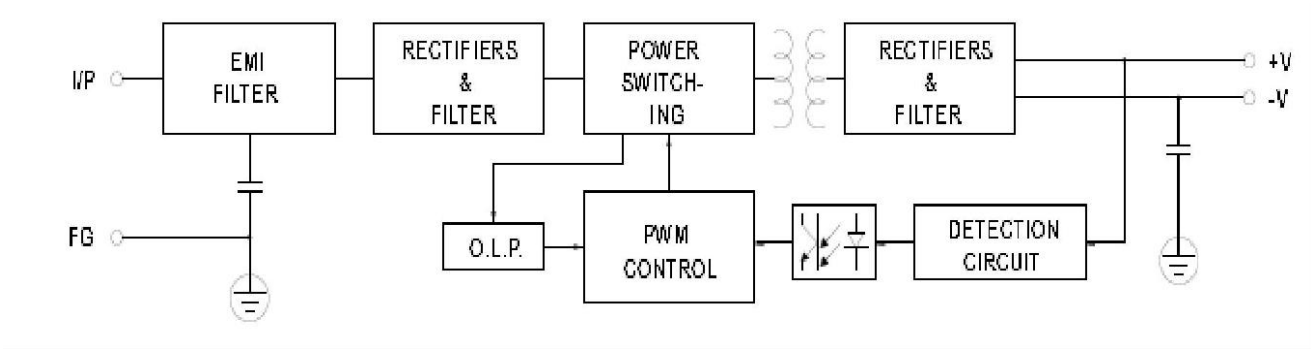
| | | | |
|-------------------|---|---|---|
| Model | | GWS-BP30-52 | |
| Output | Group Of Output | 1 | |
| | DC Voltage | 52VDC | |
| | Default Output Voltage | 0-0.58A | |
| | Ripple Noise | 0<Ta≤55°C | ≤50mVp-p |
| | | -15≤Ta≤0°C | ≤100mVp-p |
| | Stabilized Voltage Precision | ±1% | |
| | Line Regulation | ±1% | |
| | Load Regulation | ±2% | |
| | Temperature Coefficient | ±0.03%/°C | |
| | Output Start Time | ≤3.0S (120Vac input, Full load); ≤2.0S (220Vac input, Full load) | |
| Output Hold Time | ≥10mS(120Vac input, Full load); ≥20mS(220Vac input, Full load) | | |
| Input | Input Voltage Range | 90VAC~264VAC | |
| | Input Rated Voltage Range | 100VAC~240VAC | |
| | Frequency Range | 47Hz~63Hz | |
| | Efficiency | 85% | |
| | Input Current | <0.38A | |
| | Inrush Starting Current | <40A@300Vac Cold start; | |
| | Leakage Current | input to output less than 0.25mA | |
| Protection | Output | Over Power | 36~45W Swing machine (Testing method: Increase the output current until enabling the protection. Protection mode:Swing machine, Self-recovery after over-power released.) |
| | | Over Voltage | 59-60V Swing machine (Short circuit the Pin1-2 of U8, swing machine. Output recovery to normal after removing the short circuit) Note: Do not use external voltage. |
| | | Over Current | 0.70~0.87A Swing machine (Testing method: Increase the output current until enabling the protection. Protection mode:Swing machine, |

| | | |
|--------------------------------|---|---|
| | | Self-recovery after over-current released.) |
| | Short Circuit | It can be short circuited for a long time and automatically recover after the short circuit is eliminated. |
| Operation Environment | Operation Temperature And Humidity | -20°C~65°C; 20%~90%RH No condensing |
| | Storage Temperature And Humidity | -40°C~85°C; 5%~95%RH No condensing |
| Safety And EMC Standard | Security Standard | GB4943/EN60950 |
| | Dielectric Strength | Input—Output:3KVac/10mA; Input--Case:1.5KVac/10mA; Output---Case:0.5KVDC/10mA Time for each testing is 1min. |
| | Insulation Resistance | Input-Output: 100M ohms; Input-Case: 100M ohms; Output-Case: 100M ohms; |
| | Electromagnetic Interference | EN55022 Class A |
| | Harmonic Current | IEC61000-3-2 class A equipment requirements |
| | Electromagnetic interference Immunity | EN61000-4-2,4,5,6,8,11 ENV50204, class A heavy industry standard |
| | Others | Design MTBF |
| Dimension | | 100*47*26mm |
| Notes | <p>If the specification is not specified, all specifications and parameters shall be measured at rated input, rated load and 25 C ambient temperature.</p> <p>Ripple noise test method: the use of a 12# twisted pair, while the terminal to parallel capacitance of 0.1uF and 10uF, measured at the scope of the oscilloscope 20MHz bandwidth.</p> <p>The power supply will be installed on the final equipment as a component, and the final equipment will still have to meet the EMC condition.</p> | |

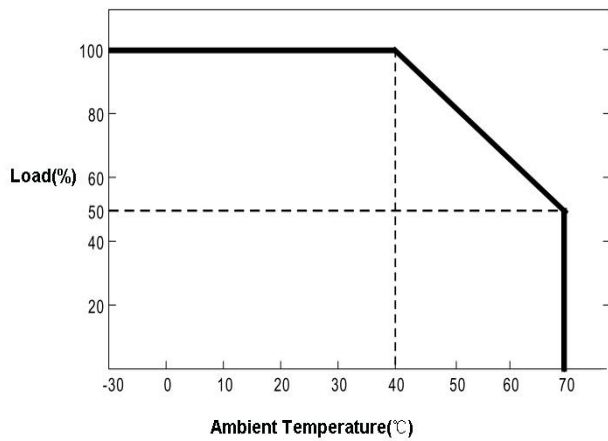
Dimension



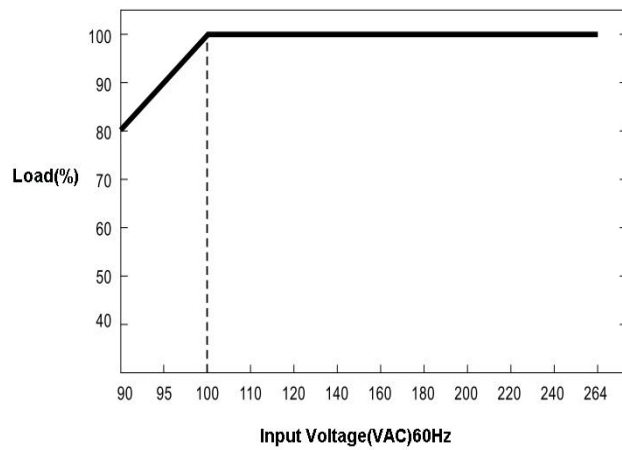
Block Diagram



Derating Curve



Static Characteristic Curve



Contact Us



Tel: 0086-755-33376606

Fax: 0086-755-33376608

Email: onv@onv.com.cn

Website: www.gwsdz.com/

Zip: 518000

Headquarter Address: Room 1003, Block D, Terra Building, Futian district, Shenzhen, China

Factory Address: The 4-6th Floor, A building, SenYuTai (Science&Technology) Park, HuaNing Road, Dalang sub-district, Longhua district, Shenzhen, China