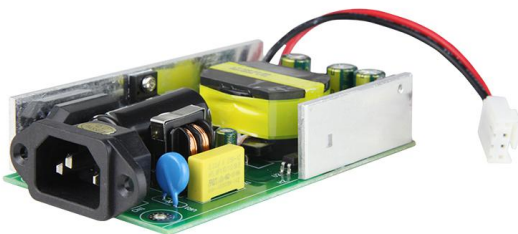


400W/52V Open Frame Power Supply (GWS-BP400-52)

Features



- Power Input: AC90~264V
- Support production for short circuit/over current/over voltage
- Wide operating ambient temp (-20°C~65°C)
- 100% full load aging test
- High efficiency, long life time and high reliability
- No fan, completely tranquil work
- 3 years warranty

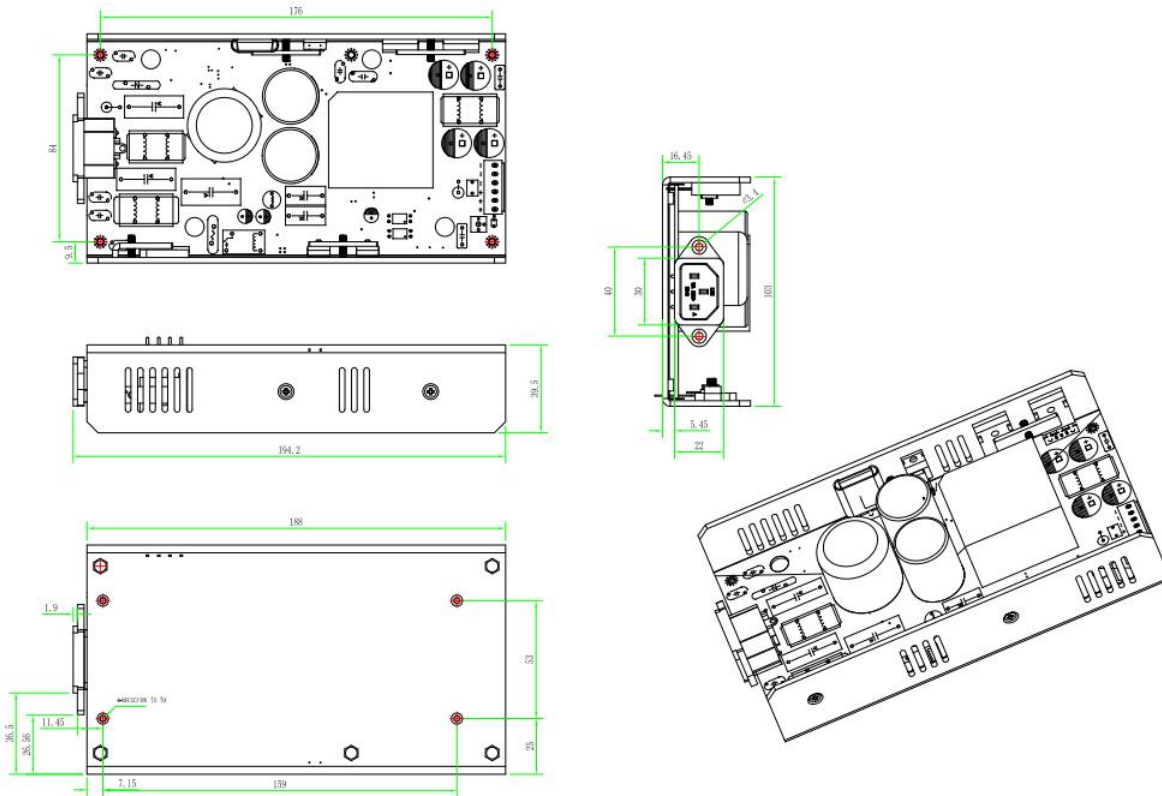


Technical Specification

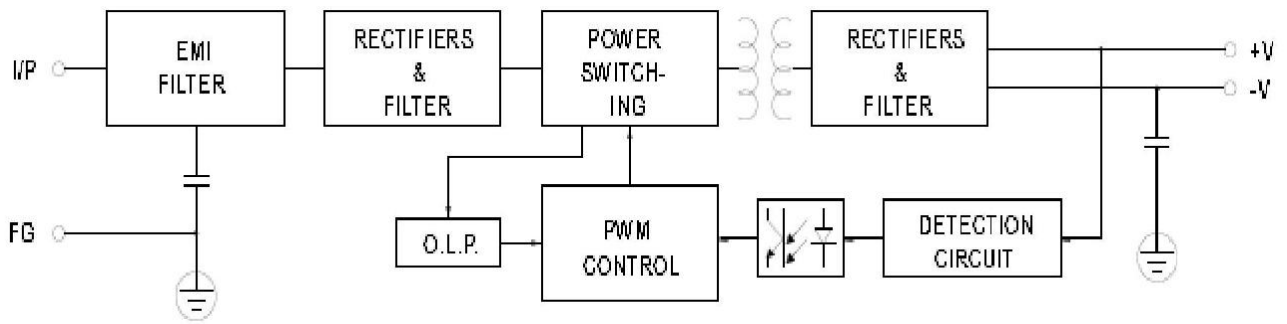
Model		GWS-BP400-52	
Output	Group Of Output		1
	DC Voltage		52VDC
	Default Output Voltage		0-7.69A
	Ripple Noise	0 < Ta ≤ 55°C	≤ 50mVp-p
		-15 ≤ Ta ≤ 0°C	≤ 100mVp-p
	Stabilized Voltage Precision		±1%
	Line Regulation		±1%
	Load Regulation		±2%
	Temperature Coefficient		±0.03%/°C
	Output Start Time		≤ 3.0S (120Vac input, Full load); ≤ 2.0S (220Vac input, Full load)
Output Hold Time		≥ 10mS (120Vac input, Full load); ≥ 20mS (220Vac input, Full load)	
Voltage Overshoot		< 5.0%	
Input	Input Voltage Range		90VAC~264VAC
	Input Rated Voltage Range		100VAC~240VAC
	Frequency Range		47Hz~63Hz
	Efficiency		93%
	Input Current		< 4.53A
	Inrush Starting Current		< 40A@300Vac Cold start
	Leakage Current		input to output ≤ 0.25mA
Protection	Output	Over Power	480~600W Swing machine (Testing method: Increase the output current until enabling the protection. Protection mode: Swing machine, Self-recovery after over-power released.)
		Over Voltage	59-60V Swing machine (Short circuit the Pin1-2 of U8, swing machine. Output recovery to normal after removing the short circuit) Note: Do not use external voltage.
		Over Current	9.23~11.54A Swing machine (Testing method: Increase the output current until enabling the protection. Protection mode: Swing machine, Self-recovery after over-current released.)
		Short Circuit	It can be short circuited for a long time and automatically recover after the short circuit is eliminated.

Operation Environment	Operation Temperature And Humidity	-20℃~65℃; 20%~90%RH No condensing
	Storage Temperature And Humidity	-40℃~85℃; 5%~95%RH No condensing
Safety And EMC Standard	Security Standard	GB4943/EN60950
	Dielectric Strength	Input—Output:3KVac/10mA; Input--Case:1.5KVac/10mA; Output---Case:0.5KVDC/10mA Time for each testing is 1min.
	Insulation Resistance	Input-Output: 100M ohms; Input-Case: 100M ohms; Output-Case: 100M ohms
	Electromagnetic Interference	EN55022 Class A
	Harmonic Current	IEC61000-3-2 class A equipment requirements
	Electromagnetic interference Immunity	EN61000-4-2,4,5,6,8,11 ENV50204, class A heavy industry standard
Others	Design MTBF	100,000Hrs AT 25℃, MIL-217 Method 2 Components Stress Method
	Dimension	194*104*39mm
Notes	<p>If the specification is not specified, all specifications and parameters shall be measured at rated input, rated load and 25 C ambient temperature.</p> <p>Ripple noise test method: the use of a 12# twisted pair, while the terminal to parallel capacitance of 0.1uF and 10uF, measured at the scope of the oscilloscope 20MHz bandwidth.</p> <p>The power supply will be installed on the final equipment as a component, and the final equipment will still have to meet the EMC condition.</p>	

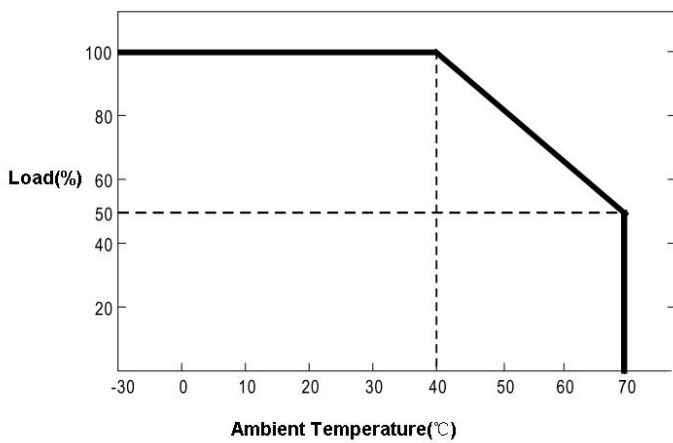
Dimension



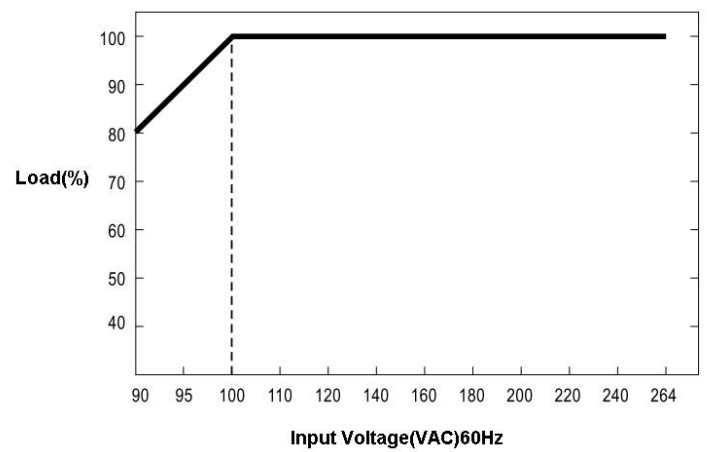
Block Diagram



Derating Curve



Static Characteristic Curve



Contact Us

GWSPower
 Tel: 0086-755-33376606
 Fax: 0086-755-33376608
 Email: onv@onv.com.cn
 Website: www.gwsdz.com/
 Zip: 518000

Headquarter Address: Room 1003, Block D, Terra Building, Futian district, Shenzhen, China
 Factory Address: The 4-6th Floor, A building, SenYuTai (Science&Technology) Park, HuaNing Road, Dalang sub-district, Longhua district, Shenzhen, China