

**Product Datasheet****250W/52V Desktop Power Adapter****(GWS-AP250-52)****Feature**

2 years warranty

100% full load aging test

Operation temp (-0°C~45°C)

Power Input: 200VAC~264VAC

No fan, completely tranquil work

High efficiency, long life time and high reliability

Support production for short circuit/over current/over voltage

**Technical Specification**

Model	GWS-AP250-52
<b>Output</b>	
Output Group Number	1
DC Voltage	52VDC
Output Voltage	0-4.5A
Ripple Noise	<300mVp-p
Vin 240Vac/50Hz full load	
Stabilized Voltage Precision	±3%

Line Regulation	±1%
Load Regulation	±3%
Temperature Coefficient	±0.03%/°C
Output Start Time	≤2.0S (220Vac input, Full load)
Output Hold Time	≥20mS (The power shall support 4.95A at 200~240Vac and 25°C)
Voltage Overshoot	<5.0%
<b>Input</b>	
Input Voltage Range	200VAC~264VAC
Input Rated Voltage Range	200VAC~240VAC
Frequency Range	47Hz~63Hz
Efficiency	89%
Input Current	<2.2A
Inrush Starting Current	<40A@300Vac Cold start
Leakage Current	Input to output less than 0.25mA
<b>Protection</b>	
Output Over Power	290~360W Downtime
Output Over Voltage	59-60V Downtime
Output Over Current	6~6.6A Downtime
Output Short Circuit	It can be short circuited for a long time and automatically recover after the short circuit is eliminated.
<b>Operation Environment</b>	
Operation Temp/ Humidity	-0°C~45°C, 20%~90%RH No condensing
Storage Temp/ Humidity	-20°C~80°C, 5%~90%RH No condensing
<b>Safety And EMC Standard</b>	
Security Standard	GB4943/EN62368
Dielectric Strength	Input—Output: 3KVac/10mA, Input—Earth: 1.5KVac/10mA Output—Earth: 0.5KVDC/10mA, Testing time: 1min
Insulation Resistance	Input—Output: 100M ohms, Input—Case: 100M ohms, Output—Case: 100M ohms
Electromagnetic Interference	EN55022 Class A
Harmionic Current	IEC61000-3-2 class A equipment requirements
Electromagnetic interference	EN61000-4-2,4,5,6,8,11 ENV50204, Class A heavy industry

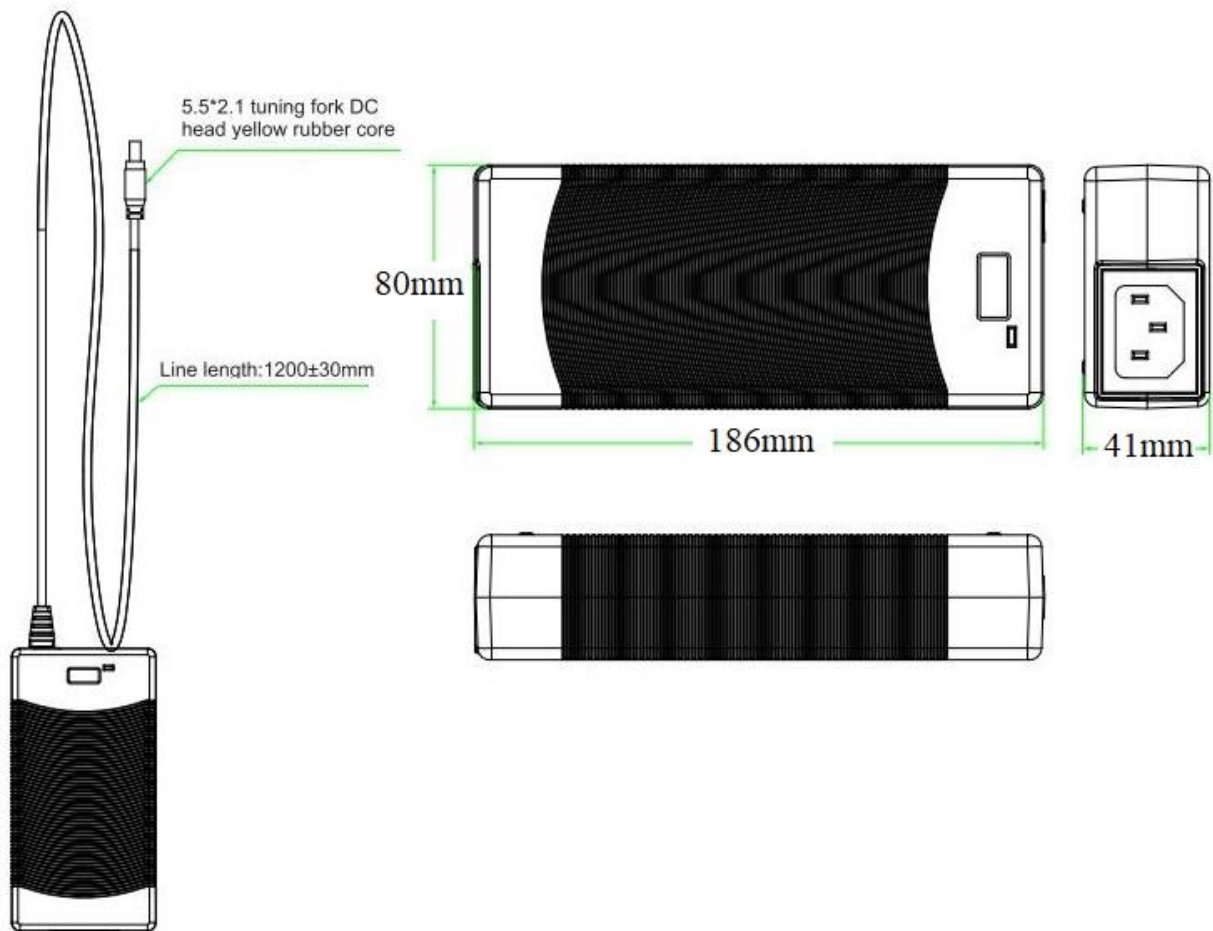
Immunity	standard
<b>Others</b>	
MTBF	100,000Hrs AT 25°C, MIL-217 Method 2 Components Stress Method
Dimension (L*W*H)	186*80*40mm

**Note:** If the specification is not specified, all specifications and parameters shall be measured at rated input, rated load and 25°C ambient temperature.

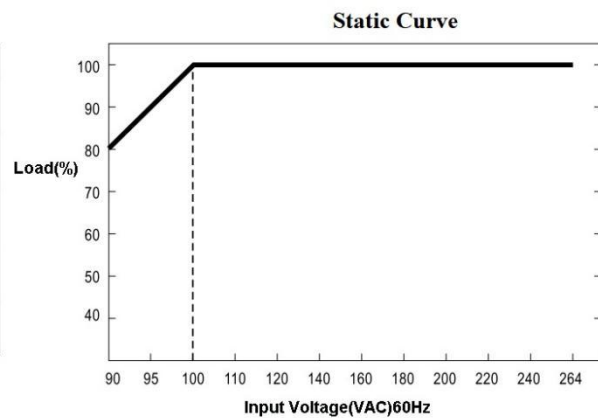
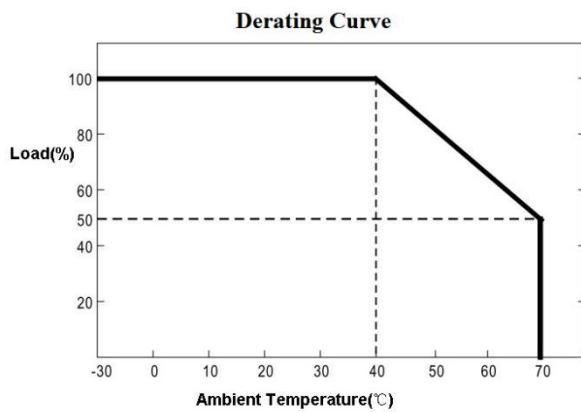
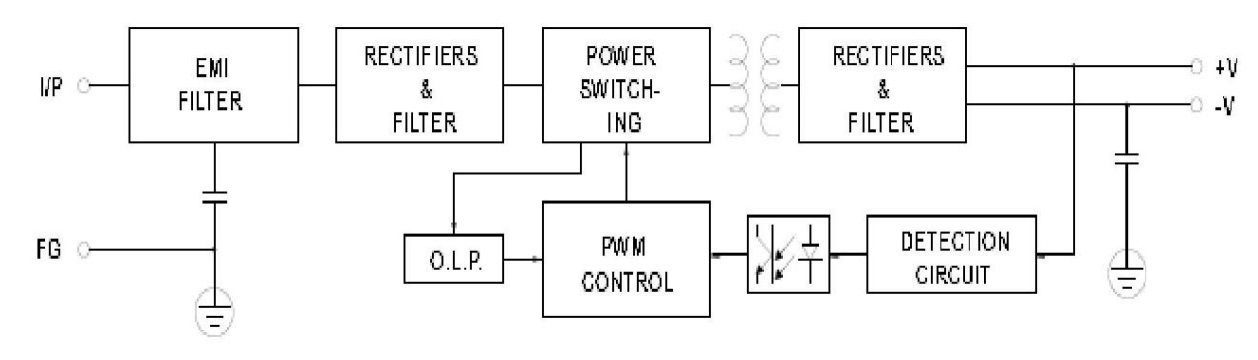
Ripple noise test method: the use of a 12# twisted pair, while the terminal to parallel capacitance of 0.1uF and 10uF, measured at the scope of the oscilloscope 20MHz bandwidth.

The power supply will be installed on the final equipment as a component, and the final equipment will still have to meet the EMC condition.

## Dimension



## Block Diagram



## Contact Us

**GWSPower**

Tel: 0086-755-33376606

Fax: 0086-755-33376608

Email: onv@onv.com.cn

Website: www.gwsdz.com

Headquarter Address: Room 1003, Block D, Terra Building, Futian District, Shenzhen, China

Factory Address: Building B3, Galaxy Artificial Intelligence Industrial Park, No. 333,

Zhongkai 6th Road, Chenjiang Street, Zhongkai High-tech Zone, Huizhou